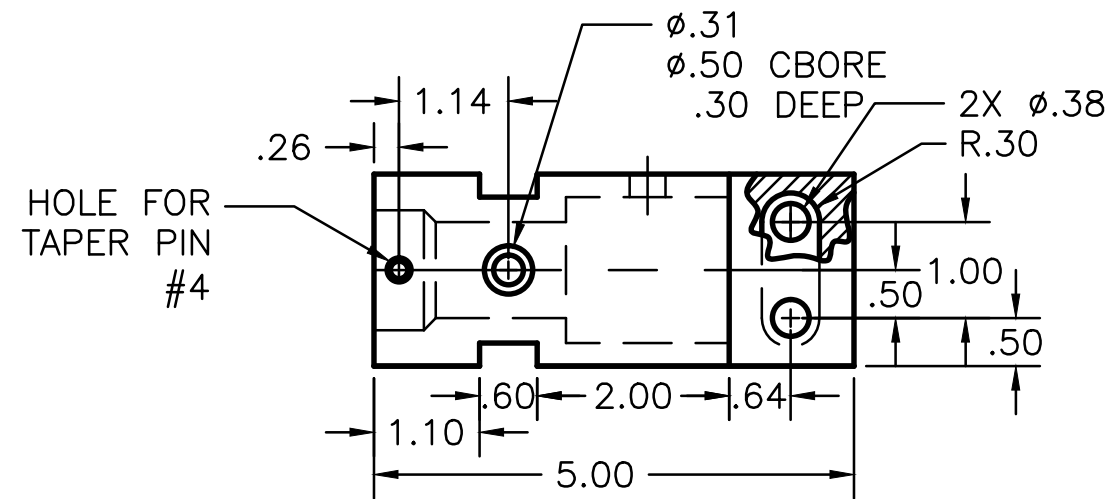
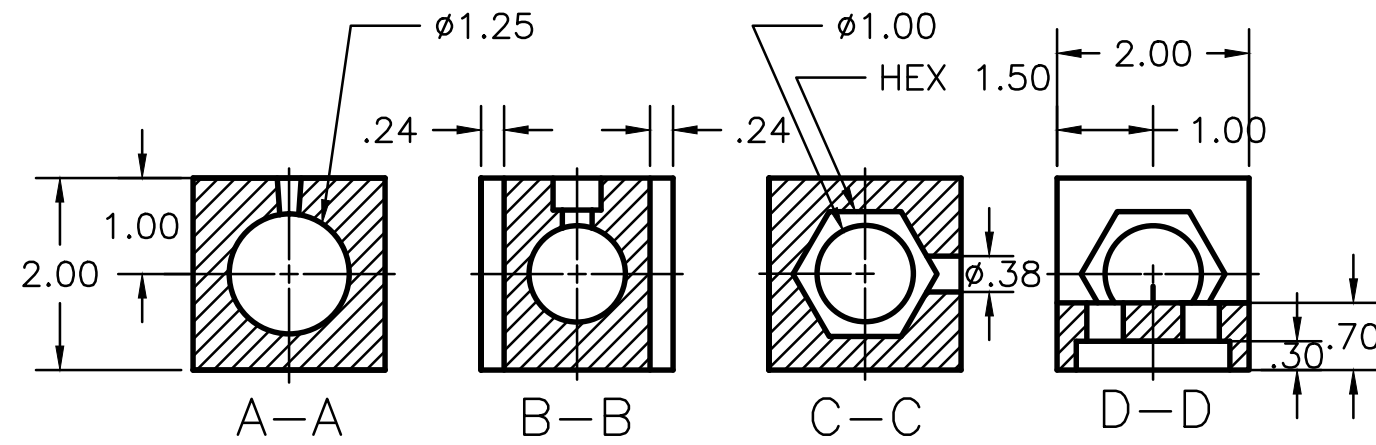
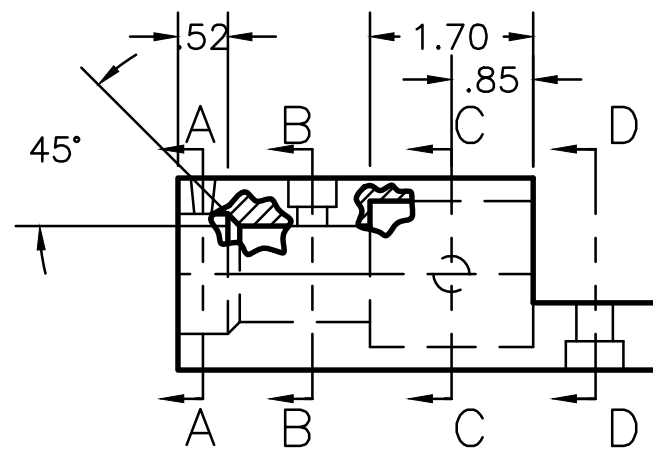


# PARTS LIST

ITEM	QTY	PART NAME	MATERIAL
1	1	CASING	MATL-SAE 1012

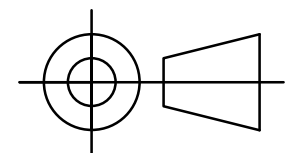


HOLE FOR  
TAPER PIN  
#4



## LEGEND:

$\phi$  DIAMETER  
R RADIUS  
° DEGREES



DIGITAL DESIGN GRAPHIC TECHNOLOGY	NAME:	E. PEREZ	DWG NAME:	9-39 CASING	SHEET NO:	1 OF 1
	COURSE:	DDGT 120	DATE:	11-27-12	SCALE:	1:2